

# FIVC Gate Valve

Ductile Iron – PN 16 – Non Rising Stem – WRAS – EN 1092-2



FGA series

## Technical data

### Main features and materials

- Body: Ductile Iron
- Bonnet: Ductile Iron
- Wedge: Ductile Iron + WRAS EPDM
- Stem: Stainless Steel
- Handwheel: Ductile Iron
- Testing: BS EN 12266-1
- Dimensions: Shell pressure: 2.4 MPa  
Sealing pressure: 1.76 MPa  
Face-to-Face acc. to BS 5163
- Flange connection size: BS EN 1092-2 PN 16
- USP: Drinking water approval  
Excellent tightness  
Minimum pressure loss  
Long lifetime

### Field of applications

- Temperature range: -10 to 85 °C
- Max. working pressure: 16 bar

- Drinking water
- Other various industries

## Description

FIVC Gate Valve is designed to be installed in pipelines only for flow isolating purposes.

The gate valve is approved for drinking water and offers excellent closing characteristics as well as minimal pressure loss.

Furthermore, the functionality of the valve prevents the water hammer phenomenon due to its slow opening and closing, requires less space, and is an economical valve.

The valve can be used for Drinking Water, Oil, and Air.

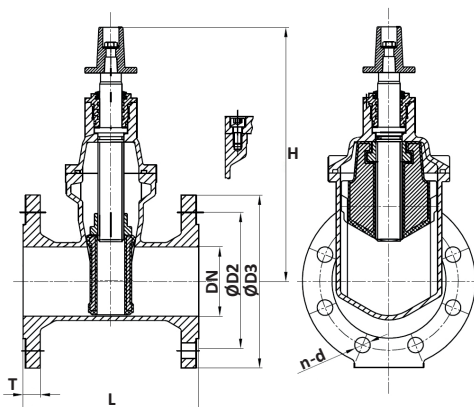
## Declaration

The product is WRAS approved and has been inspected and tested in accordance with the European PED Directive N° 2014/68/EU, dated 15/05/2014.



## Dimensions

DN 50-300



Product code	Size	L	H	ØD2	ØD3	T	n-Ød	Kg
FGA050N16NB231	50	178	235	125	165	19	4-Ø19	26
FGA065N16NB231	65	191	261	145	185	19	4-Ø19	27
FGA080N16NB231	80	203	301	160	200	19	8-Ø19	30
FGA100N16NB231	100	229	334	180	220	19	8-Ø19	39
FGA125N16NB231	125	254	388	210	250	19	8-Ø19	48
FGA150N16NB231	150	267	437	240	285	20	8-Ø23	56
FGA200N16NB231	200	292	521	295	340	21	12-Ø23	90
FGA250N16NB231	250	330	622	355	405	22	12-Ø28	130
FGA300N16NB231	300	356	699	410	460	26.5	12-Ø28	182

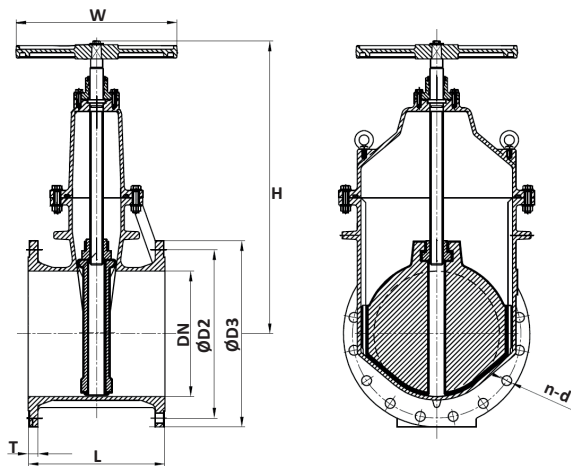
Dimensions are in millimeters

# FIVC Gate Valve

Ductile Iron – PN 16 – Non Rising Stem – WRAS – EN 1092-2

## Dimensions

DN 350-600

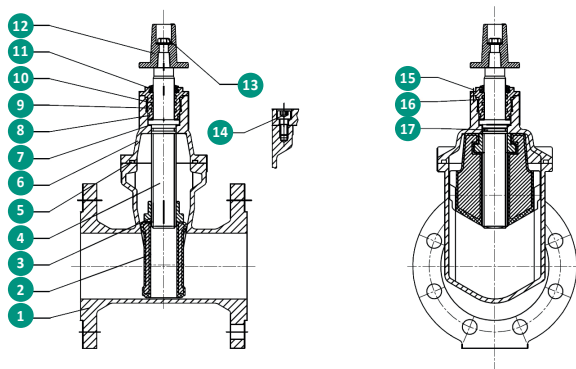


Product code	Size	L	H	ØD2	ØD3	T	n-Ød	Kg
FGA350N16NB231	350	381	817	520	470	27	16-Ø26	240
FGA400N16NB231	400	406	898	580	525	30	16-Ø30	316
FGA450N16NB231	450	432	1009	640	585	30	20-Ø30	457
FGA500N16NB231	500	457	1102	715	650	34	20-Ø33	627
FGA600N16NB231	600	508	1283	840	770	38	20-Ø36	863

Dimensions are in millimeters

## Product Specification

DN 50-300



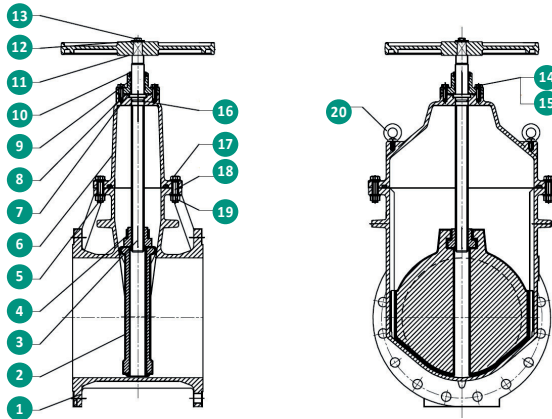
N°	Component	Material
1	Body	Ductile Iron BS Gr 450-10
2	Wedge	Ductile Iron BS Gr 450-10 + WRAS EPDM
3	Stem	Stainless Steel BS 970 420S37
4	Stem nut	BS CZ115
5	Sealing ring	WRAS EPDM
6	Bonnet	Ductile Iron BS Gr 450-10
7	Gasket	BS LG2
8	Gland	BS CZ115
9	O-Ring	WRAS EPDM
10	O-Ring	WRAS EPDM
11	Dust ring	WRAS EPDM
12	Square nut	Ductile Iron BS Gr 450-10
13	Screw	Stainless Steel BS 970 304S1
14	Screw	8.8
15	Screw	Stainless Steel BS 970 304S31
16	O-Ring	WRAS EPDM
17	O-Ring	WRAS EPDM

# FIVC Gate Valve

Ductile Iron – PN 16 – Non Rising Stem – WRAS – EN 1092-2

## Product Specification

DN 350-600



N°	Component	Material
1	Body	Ductile Iron BS Gr 450-10
2	Wedge	Ductile Iron BS Gr 450-10 + WRAS EPDM
3	Stem	Stainless Steel BS 970 420S45
4	Stem nut	HMn58-2
5	Sealing ring	WRAS EPDM
6	Bonnet	Ductile Iron BS Gr 450-10
7	Seal seat	Ductile Iron BS Gr 450-10
8	O-Ring	WRAS EPDM
9	O-Ring	WRAS EPDM
10	Dust ring	WRAS EPDM
11	Handwheel	Ductile Iron BS Gr 450-10
12	Bolt	Stainless Steel BS 970 304S31
13	Washer	Stainless Steel BS 970 304S31
14	Bolt	Stainless Steel BS 970 304S31
15	Washer	Stainless Steel BS 970 304S31
16	O-Ring	WRAS EPDM
17	Bolt	Stainless Steel BS 970 304S31
18	Washer	Stainless Steel BS 970 304S31
19	Nut	Stainless Steel BS 970 304S31
20	Lifting bolt	8.8