

# FIVC Motorized Ball Valve

Brass – PN 20 – ON-OFF or 3-Point floating control – Full Port – ISO 228



## Technical data

### Main features and materials

- Body: Forged Brass
- Bonnet: Forged Brass
- Seat: Plastic
- O-Ring: EPDM/NBR
- Actuator type: ON-OFF or 3-Point floating control
- Voltage: 24V DC or 220V AC 50/60 Hz
- Power: 6 W
- IP class: IP65
- Drive torque: 10.5 Nm
- Stroke: 90°
- Operating time: 15 sec.
- Cable length: 50 cm
- USP: High-tightness  
Long lifespan  
Increased process efficiency  
Resistant to clogging

### Field of applications

- Temperature range of media: 1 to 95 °C
- Max. temp. of the actuator: 100 °C
- Max. working pressure: 20 bar
- Max. closing pressure: 5 bar

F2BA series

- Industrial cold/hot water plants
- Refrigeration and air conditioning

## Description

FIVC Motorized Ball Valve is designed to control the flow by opening, closing, or partially blocking flow passages through its reliable ON-OFF or 3-Point floating actuator.

The valve is commonly used in fan coil units, cooling ceilings or cooling/heating ends and is electrically connected with a room thermostat or temperature controller. The valve reacts by opening or closing to maintain temperature according to the temperature setpoint on the temperature controller.

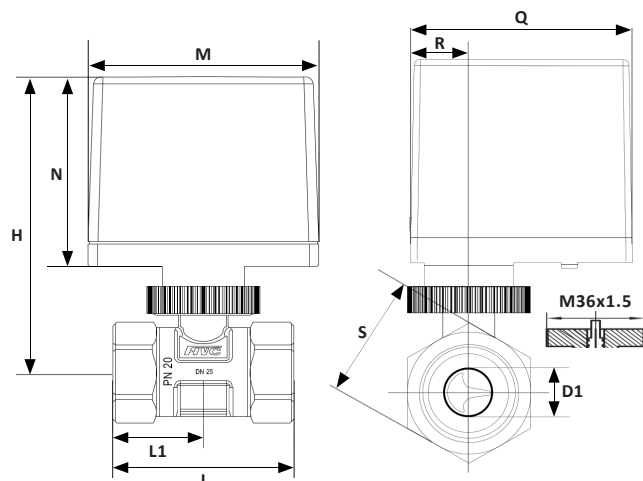
Benefits are quick response time, reduced operating energy consumption, long lifespan, and ensured leakage tightness.

The valve is suitable for freshwater, hot water, and up to 60 pct. ethylene glycol solutions.

## Declaration

The product has been inspected and tested in accordance with the Sound Engineering Practice SEP. Acc. to the European PED Directive N° 2014/68/EU, dated 15/05/2014, the product is exempted from CE marking (Cf. Art. 4.3).

## Dimensions



Product code	Size (DN)	L	S	L1	D1	Kvs	Kg
F2BA015B2001	15	62	32.5	31.5	10	4.4	0.66
F2BA020B2001	20	63	32.5	31.5	12	6	0.61
F2BA025B2001	25	73	40	36.5	16	13.6	0.72
F2BA032B2001	32	83	48	41.5	20	16	0.99

Dimensions are in millimeters

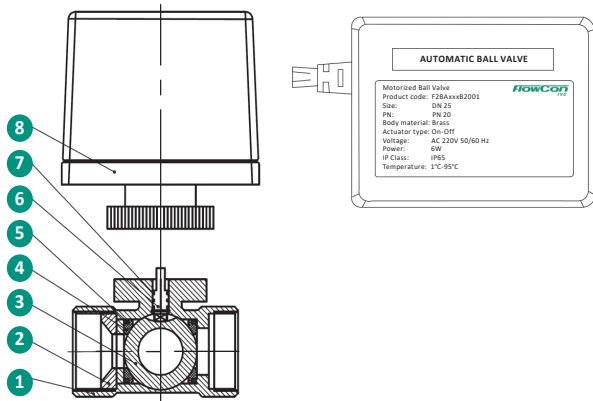
Actuator dimensions				
M	H	N	Q	R
81.5	105	67.5	63.5	19

Dimensions are in millimeters

## FIVC Motorized Ball Valve

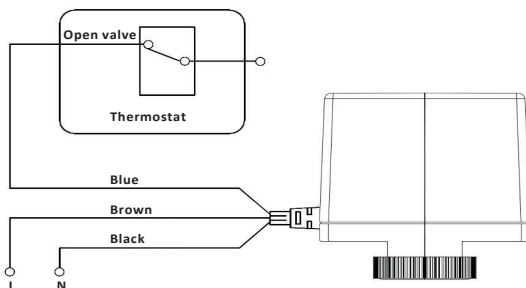
Brass – PN 20 – ON-OFF or 3-Point floating control – Full Port – ISO 228

### Product Specification



N°	Name	Material
1	Body	Forged Brass
2	Bonnet	Forged Brass
3	Sphere	Forged Brass
4	Seat	Plastic
5	O-Ring	EPDM/NBR (ø21x1.8)
6	Shaft	Forged Brass
7	O-Ring	EPDM/NBR
8	Electric actuator	-

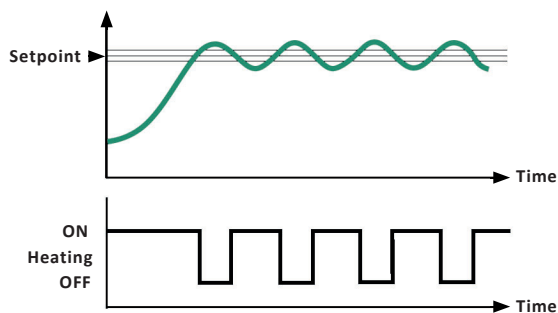
### Wiring Diagram



Direct or diverse operation		
Jumper	Wiring	Rotation
	DIR	L=2 Clockwise
	INV	L=2 and 3 Anti-clockwise
		L=2 and 3 Clockwise

### Characteristics of control action

#### ON/OFF control action



#### 3-point floating control action

