

FlowCon By-Pass 2-Union

2-union 3 Way By-Pass Unit
DN15-50 / 1/2"-2"



SPECIFICATIONS

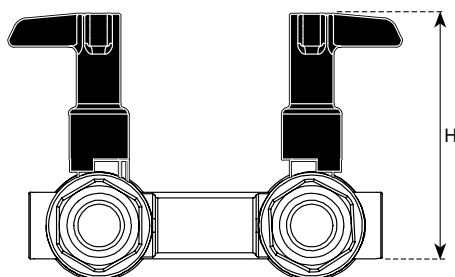
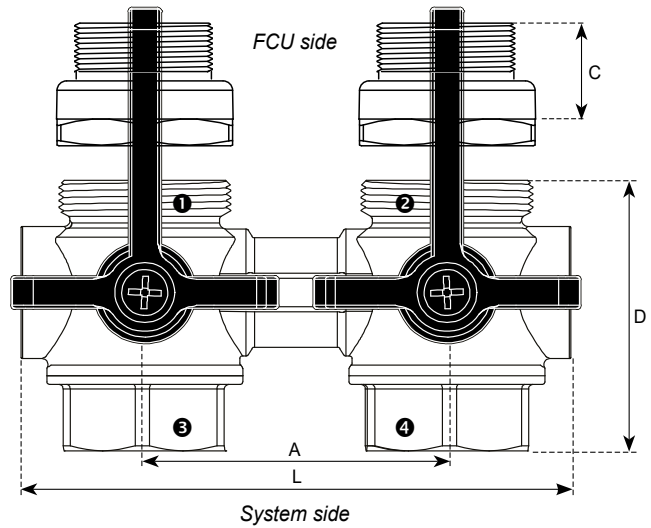
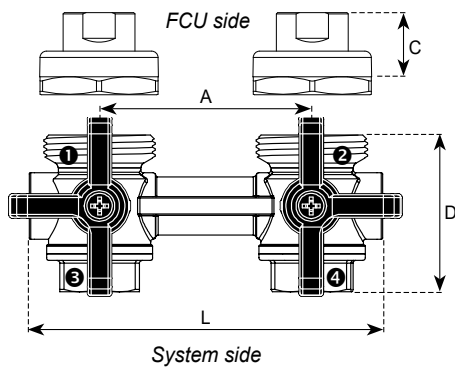
Static pressure:	2500 kPa / 360 psi
Media temperature:	-20°C to +120°C / -4°F to +248°F
Material:	
- Housing:	Forged brass DZR ASTM CuZn36Pb2As (CW 602N)
- O-rings:	EPDM (70 shore)
- Ball valves:	Chemically nickel-plated brass
- Union end connections:	Brass alloy
- Handles:	Painted aluminum
End connections ¹ :	System side: Fixed female ISO FCU side: Union end connection, ISO or NPT.

Note 1: NPT only available ex. US-factory.

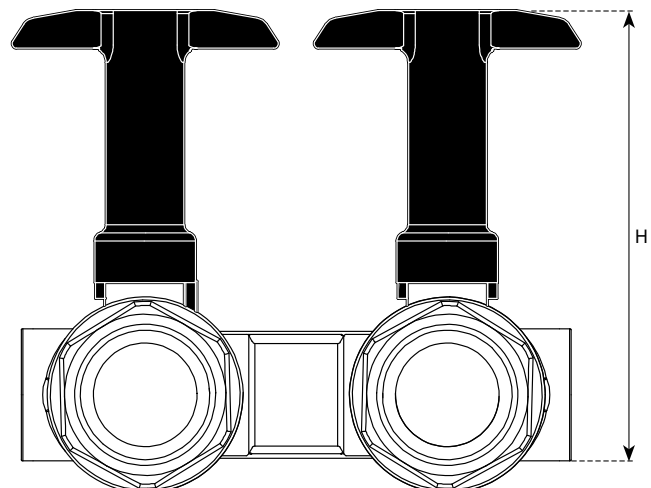
DIMENSIONS AND WEIGHT (NOMINAL)

Model no.	Model size	L	D	A	H	End connections C ¹				Weight ²
						Valve size	Female	Male	Sweat	
F3910.XX	15 (1/2)	132.5 (5.22)	57.5 (2.26)	80 (3.15)	80 (3.15)	15 (1/2)	22 (0.87)	24 (0.95)	20 (0.79)	0.699 (1.54)
	20 (3/4)					22 (0.87)	25 (0.99)	20 (0.79)	0.692 (1.53)	
	25 (1)					-	39 (1.54)	22 (0.87)	0.690 (1.52)	
	32 (1 1/4)	191.0 (7.52)	94.0 (3.70)	105 (4.13)	134 (5.28)	25 (1)	35 (1.38)	40 (1.57)	34 (1.34)	2.52 (5.56)
	40 (1 1/2)					32 (1 1/4)	33 (1.3)	40 (1.57)	34 (1.34)	2.58 (5.69)
	50 (2)					40 (1 1/2)	33 (1.3)	42 (1.65)	-	2.38 (5.25)

Note 1: Add end connection length to By-Pass unit length, D.
 Note 2: Weight does not include connections.



FlowCon F3900.XX
 fixed end DN15/20/25 (1/2", 3/4", 1")
 and union end DN15/20/25 (1/2", 3/4", 1")



FlowCon F3900.XX
 fixed end DN32/40/50 (1 1/4", 1 1/2", 2")
 and union end DN25/32/40 (1, 1 1/4", 1 1/2")

MODEL NUMBER SELECTION

By-pass size, fixed end (③ and ④):

- 15** = female DN15 (1/2")
- 20** = female DN20 (3/4")
- 25** = female DN25 (1")
- 32** = female DN32 (1 1/4")
- 40** = female DN40 (1 1/2")
- 50** = female DN50 (2")

Connection size and type, union end (① and ②):

- 00** = no union ends

Model and size	Female threaded	Male treaded	Sweat
F3910.XX. with union ends, DN15-25, 1/2"-1"	E = 15 mm / 1/2" F = 20 mm / 3/4"	H = 15 mm / 1/2" I = 20 mm / 3/4" J = 25 mm / 1"	K = 15 mm L = 18 mm M = 22 mm O = 1/2" R = 3/4" U = 1"
F3910.XX. with union ends, DN25-40, 1"-1 1/2"	G = 25 mm / 1" P = 32 mm / 1 1/4" Q = 40 mm / 1 1/2"	J = 25 mm / 1" S = 32 mm / 1 1/4" T = 40 mm / 1 1/2"	N = 28 mm W = 35 mm V = 1 1/4" W = 1 1/2"

Connection standard:

- I** = ISO (standard)

Assembly requirement:

- 0** = not assembled (standard)
- 1** = assembled
- 2** = assembled and pressure tested

Example:

F3910.20.F.F.I.0 = DN20 (3/4") fixed female FlowCon By-pass 2-union with DN20 (3/4") female union end connections, ISO, not assembled.

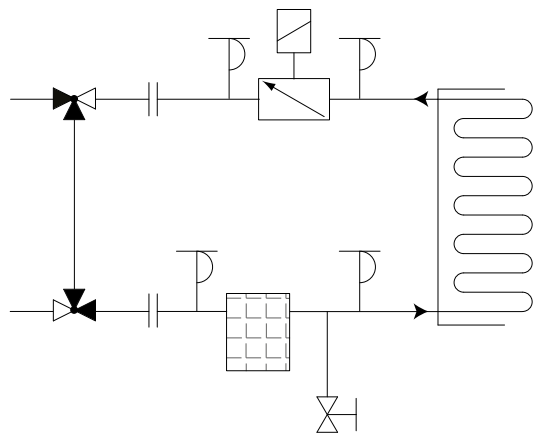
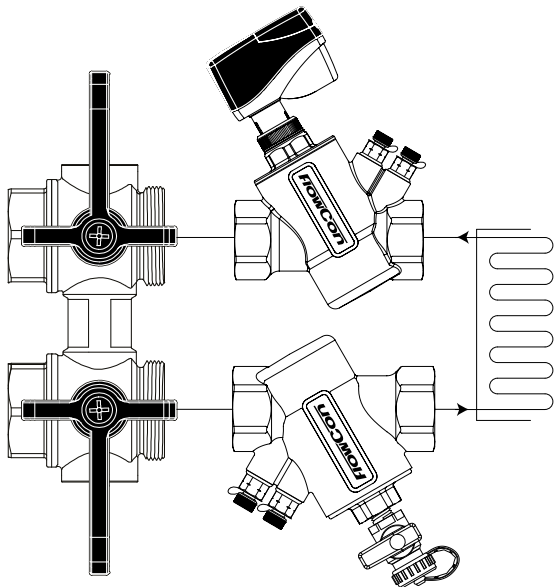
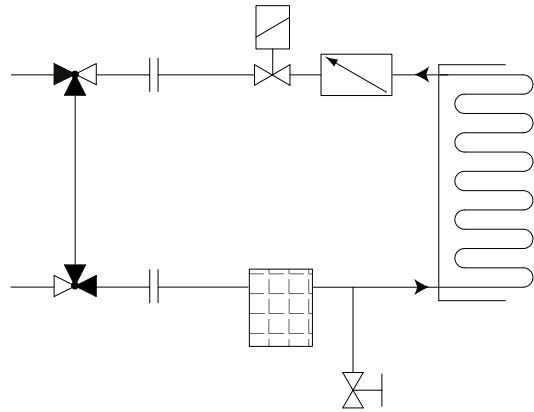
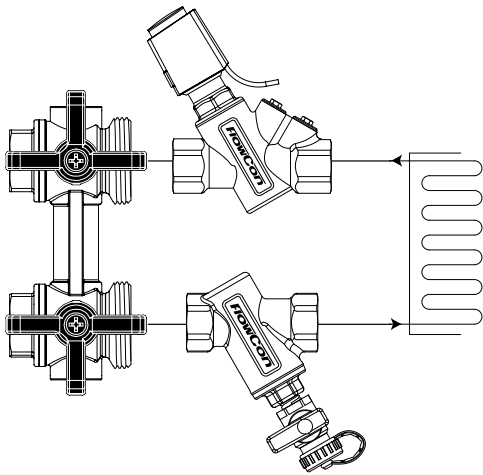
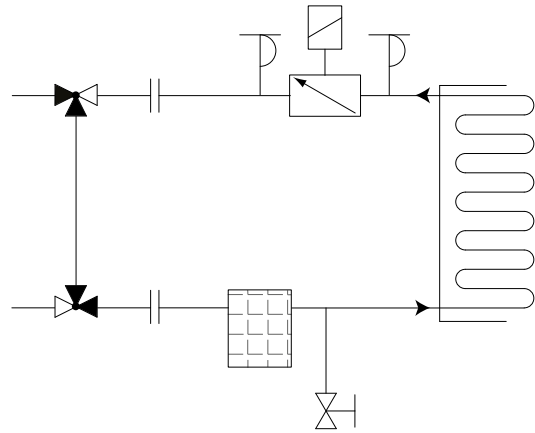
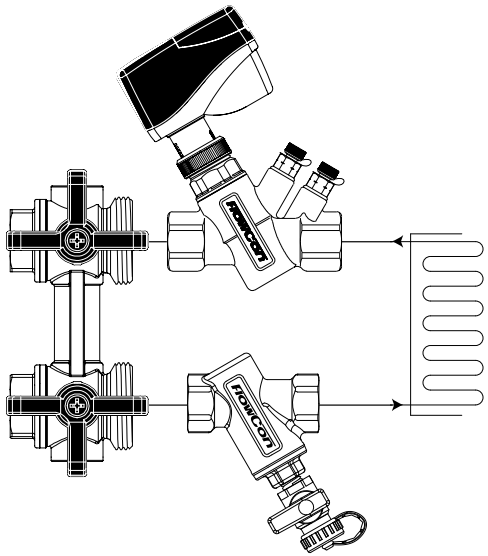
F3910

I

1

2

APPLICATION AND SCHEMATIC EXAMPLES (...continued)



UPDATES

For latest updates please see www.flowcon.com

FlowCon International can accept no responsibility for possible errors in any printed material. All rights reserved.