

Installation and Operation Instruction

The actuator types **FlowCon FNR.0.2**, **FNR.0.2-EQ** and **FNR.0.3** are electrical actuators. FNR.0.2 and FNR.0.2-EQ are both 24V modulating and FNR.0.3 is 2-position / 3-point floating.

Fitting and Re-fitting



Do not connect power to the actuator unless the actuator is already fitted on the valve and NEVER install the actuator in closed position - this may damage the valve. Actuator is supplied in open position to ensure easy commissioning of the system.

Mount the actuator on the valve and finger tighten the connection union. Do not use additional tools. In case the actuator will have to be removed, it is recommended to manually open the actuator for easier removal. Hereafter finger loosen the connection union. Again, no need for additional tools. Please make sure that the actuator is manually opened, before re-fitting it on the valve.

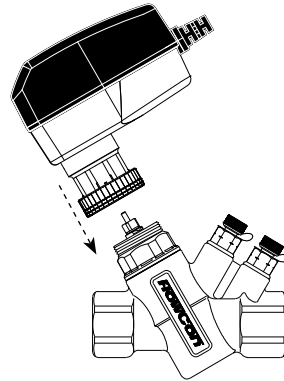


Figure 1

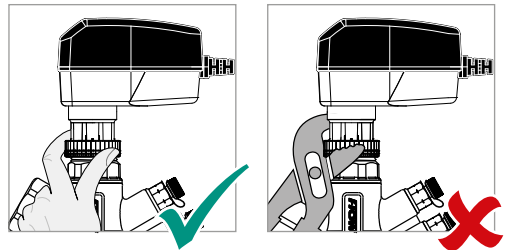


Figure 2

Orientation

Upside-down installation is allowed along with the standard horizontal and vertical installation.

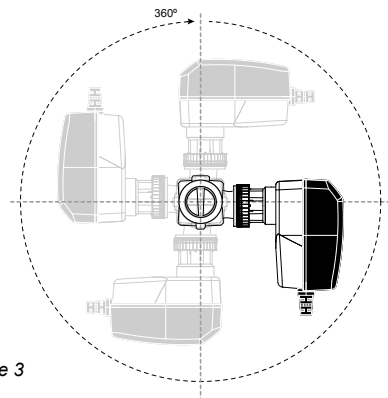
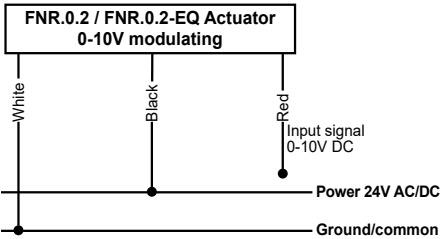


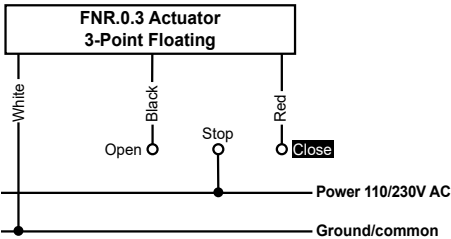
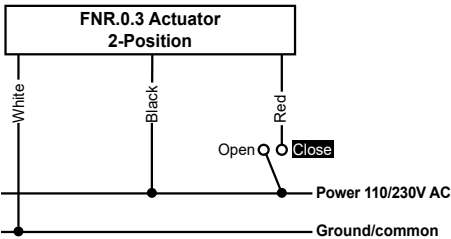
Figure 3

Wiring

FlowCon FNR (analog)



FlowCon FNR (digital)



Start-up Sequence

When power to the actuator is turned on, the actuator will automatically calibrate to determine closing point and stroke length of the insert. Hereafter it will proceed to normal operation mode (according to control signal).

Manual Override

Before performing override, please turn off the power supply. Lift the silicone cap on top of the actuator to get access to manual override. Manual override is performed with a 4 mm (~5/32") hex key. Counter-clockwise turning will open the valve and clockwise turning will close the valve.